

# TELEHANDLER

# STH1256A

## STANDARD FEATURES

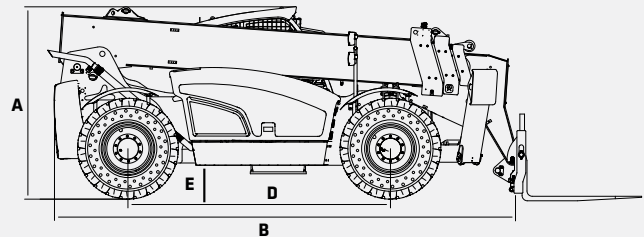
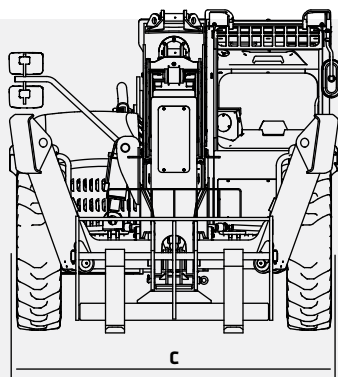
- ➔ Fully enclosed cab or canopy configurations
- ➔ Wide angle rear view camera
- ➔ Reverse object detection
- ➔ Axle mounted stabilizers
- ➔ Powerful Deutz engine

**121 hp**  
Gross Power

**56' 2"**  
Max Lift Height

**12,000 lbs**  
Max Lift Capacity

**35,494 lbs**  
Operating Weight



## DIMENSIONS

### DIMENSIONS

Maximum Lift Height	56' 2"	17.13 m
Maximum Forward Reach	42' 11"	13.08 m
A Height, Stowed	8' 5"	2.56 m
B Length, Stowed (without Forks)	20' 7"	6.28 m
C Width	8' 6"	2.59 m
D Wheelbase	11' 5"	3.49 m
E Ground Clearance (Center)	1' 6"	0.46 m
Ground Clearance (Axle)	1' 6"	0.45 m
Weight	35,494 lbs	16,100 kg

## TECHNICAL SPECIFICATIONS

### CAPACITIES

Power	121 hp	90 kW
Torque	360 lbf-ft	488 Nm
Electrical System	24 volt	
Hydraulic Tank Capacity	33 gal	124 L
Hydraulic System Capacity (with Tank)	42 gal	159 L
Fuel Tank Capacity	36 gal	135 L

### COMPONENTS

Engine	Deutz TCD3.6
Transmission	Dana VDT12000
Axles F/R	Dana 223 / 213
Hydraulic Pump	Kawasaki Load Sense Piston Pump
Hydraulic Manifold	Parker

\*Based on theoretical calculation at max flow with no load. Subject to alterations. In the interest of continual equipment development, SANY America Inc. reserves the right to change these specifications at any time without prior notification.  
©2023 SANY America Inc. HEXPS23STH1256A001



STANDARD AND OPTIONAL EQUIPMENT

s = standard / o = optional

STH1256A	ENGINE
s	Exhaust aftertreatment (DPF+SCR (DEF required))
POWERTRAIN	
s	Powershift transmission
s	Planetary limited slip axles
s	Full-time 4 wheel drive
s	Gear selector lever (Steering-column)
s	Manual shift
s	Service brake, 4-wheel, wet-disc, spring applied, hydraulic release
s	Parking brake, same as service brake
s	Cushioned solid tires
HYDRAULIC	
s	Full variable load-sensing system
s	Single electric over hydraulic joystick controls
s	Axial piston pump
s	Hydraulic quick coupler lines for auxiliary hydraulics
s	Self-leveling forks
s	Three driver-selectable steering modes (2W, 4W, 4W-Crab)
CABIN	
s	ISO certified ROPS/FOPS Canopy
s	Emergency hammer (closed cabin only)
s	Rubber isolated cab mounts

In the interest of continual equipment development, SANY America Inc. reserves the right to change these specifications at any time without prior notification.  
 ©2023 SANY America Inc. HEXPS23STH1256A001



\*Warranty applies to 2023 Crane, Telehandler, Grader and Roller models only.



STANDARD AND OPTIONAL EQUIPMENT

s = standard / o = optional

STH1256A	CABIN (CONTINUED)
<b>o</b>	Fully enclosed cab with automatic heat and air conditioning
<b>s</b>	Digital instrument display
<b>s</b>	Mechanical suspension seat
<b>s</b>	Seat belt, 3" retractable
<b>s</b>	Dual armrests
<b>s</b>	Rear-view camera
<b>s</b>	2-speed fan
<b>s</b>	Dedicated display for rear-view camera
ELECTRICAL	
<b>s</b>	24V electrical system
<b>s</b>	2-12V batteries
PRODUCTIVITY	
<b>s</b>	Back up camera
<b>s</b>	Reverse sensing system
<b>s</b>	Full 4-wheel fender package
<b>s</b>	LED work lights on cab and boom
<b>s</b>	Flashing beacon
<b>s</b>	Lifting hook
<b>s</b>	Frame leveling 10 degrees side to side
<b>s</b>	Rear-Axle stabilization system
<b>s</b>	Axle-mounted front stabilizers

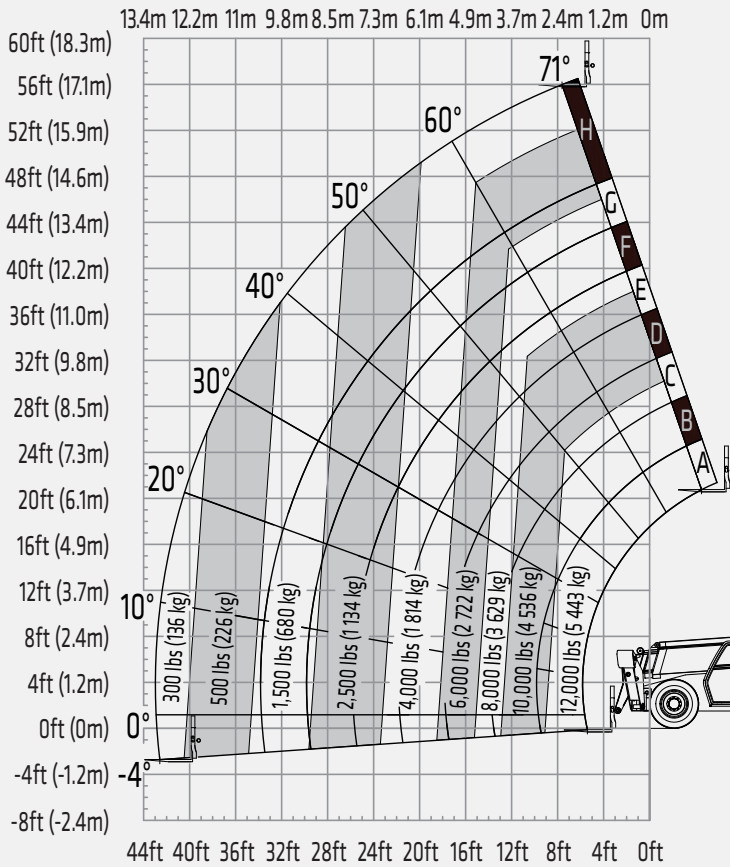
In the interest of continual equipment development, SANY America Inc. reserves the right to change these specifications at any time without prior notification.  
 ©2023 SANY America Inc. HEXPS23STH1256A001



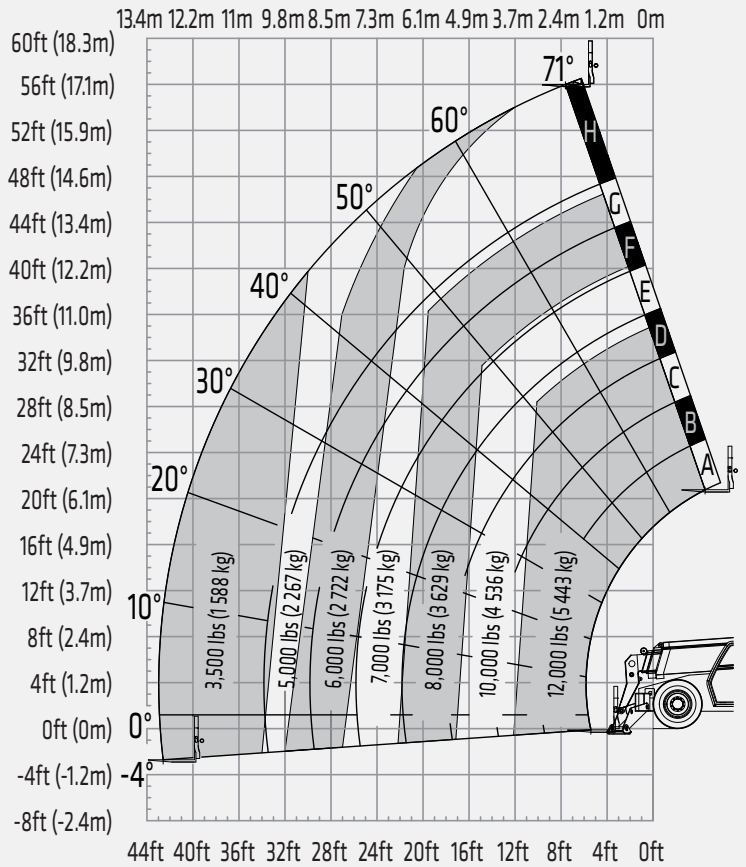
# PRODUCT SPECIFICATIONS TELEHANDLER ||| STH1256A

## PERFORMANCE

PERFORMANCE		
Maximum Lift Capacity	12,000 lbs	5 443 kg
Lift Capacity at Maximum Height	7,000 lbs	3 175 kg
Lift Capacity at Maximum Reach	3,500 lbs	1 588 kg
Boom (Raise/Lower)	15 seconds / 15 seconds	
Boom (Extend/Retract)	19 seconds / 19 seconds	
Frame Leveling	+/- 10 degrees	
Maximum Drive Speed	17 mph	28 kph
Outside Turning Radius (4WS)	14' 1"	4.30 m
Auxiliary Hydraulic Flow	17 gpm	63 L/min
Auxiliary Hydraulic Pressure	2,466 psi	17 MPa
Standard Tire Size	14.00-24	



**Outriggers Up**



**Outriggers Down**

\* Indicates load limited by hydraulic lifting capacity.

In the interest of continual equipment development, SANY America Inc. reserves the right to change these specifications at any time without prior notification.  
©2023 SANY America Inc. HEXPS235TH1256A001

SANY America Inc. 318 SANY Way  
Peachtree City, Georgia 30269  
470.552.SANY sanyamerica.com

