

# EXCAVATOR

# SY135C

## STANDARD FEATURES

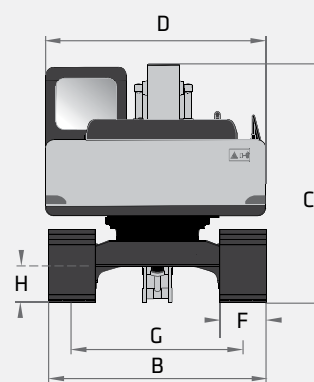
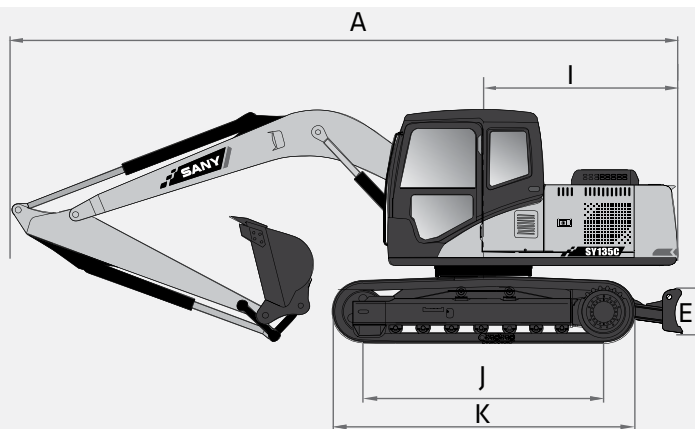
- ➔ Fixed boom functionality and conventional tail swing
- ➔ Multifunction color LCD touchscreen display with diagnostic capability
- ➔ 1-way and 2-way primary and 2-way secondary auxiliary circuits
- ➔ Rear view camera
- ➔ Quick coupler plumbing to end of stick
- ➔ Powerful Isuzu Engine

**103.9 hp**  
Net Power

**18' 1"**  
Dig Depth

**32,783 lbs**  
Operating Weight

**20,075 lbf**  
Bucket Breakout



## TECHNICAL SPECIFICATIONS

### TECHNICAL SPECIFICATIONS

Operating Weight	32,783 lbs	14 870 kg
Ground Pressure	5.9 psi	41 kPa
<b>Engine</b>	ISUZU FT4-4JJ1X	
Displacement	182.5 in <sup>3</sup>	2.99 L
Gross Power	105.3 HP	78.5 kW
Net Power	103.9 HP	77.5 kW
<b>Hydraulics</b>	Positive Flow Control w/Pilot Control	
Main Hydraulic Pump	Axial Piston - Variable Displacement	
Operating Flow (maximum)	63.9 gal/min	242.0 L/min
Operating Pressure (maximum)	4,975 psi	34.3 MPa
Primary Auxiliary Flow (maximum)*	29.1 gal/min	110 L/min
Primary Auxiliary Pressure (maximum)	4,975 psi	34.3 MPa
Secondary Auxiliary Flow (maximum)*	18.5 gal/min	70 L/min
Secondary Auxiliary Pressure (maximum)	3,553 psi	24.5 MPa
<b>Travel Motor</b>	Axial Piston with Park Brake	
Travel Pressure (maximum)	4,975 psi	34.3 MPa
Travel Speeds (maximum)	2.2 / 3.4 mph	3.5 / 5.5 km/hr
Travel Effort (maximum)	25,628 lbf	114.0 kN
Grade Capability (maximum)	35°	
<b>Swing Motor</b>	Axial Piston with Swing Brake	
Swing Pressure (maximum)	3,626 psi	25.0 MPa
Swing Speed (maximum)	12 RPM	
<b>Undercarriage</b> (standard)	Steel Track	
Track Shoe Width (standard)	24"	600 mm
Track Rollers (per side)	7	
Carrier Rollers (per side)	1	

## DIMENSIONS

### DIMENSIONS

Boom Length	15' 1"	4 600 mm
Stick (Arm) Length	8' 2"	2 500 mm
A Transport Length	24' 7"	7 500 mm
B Transport Width	8' 6"	2 600 mm
C Transport Height	9' 3"	2 815 mm
D Upper Structure Width	8' 2"	2 490 mm
E Blade Height	1' 6"	458 mm
F Track Width (standard shoe)	24"	600 mm
G Track Gauge	6' 6"	1 990 mm
H Ground Clearance (minimum)	1' 5"	425 mm
I Tail Swing Radius	7' 6"	2 290 mm
J Track Length on Ground	9' 7"	2 930 mm
K Track Length	12' 0"	3 665 mm

### SERVICE REFILL CAPACITIES

Fuel Tank Capacity	63.2 gal	240.0 L
DEF Tank Capacity	5.0 gal	19.0 L
Hydraulic Tank Capacity	39.5 gal	150.0 L
Engine Oil Capacity	3.5 gal	13.2 L
Cooling System Capacity	5.8 gal	22.0 L

\*Based on theoretical calculation at max flow with no load. Subject to alterations. In the interest of continual equipment development

SANY America Inc. reserves the right to change these specifications at any time without prior notification. ©2023 SANY America Inc. HEXPS23SY135C001



STANDARD AND OPTIONAL EQUIPMENT

s = standard / o = optional

SY135C	ENGINE
s	Isuzu AR-4J1X
s	Tier 4F / EU Stage V Ready
s	Auto-idle
s	Push button start
s	Dual-element dry air filter
s	Engine air precleaner
s	Coolant Expansion tank
s	Electronic engine control
s	Fan guard
s	Engine coolant to -37 deg. C (-34 deg. F)
s	Full-flow oil filter
s	Automatic and manual engine regeneration
s	High flow cooling fan
s	500-hour engine-oil-change interval
s	Fuel filter and water separator
HYDRAULIC SYSTEM	
s	Spring-applied, hydraulically released automatic swing brake
s	Load sensing hydraulic system
s	Control pattern change valve
s	Continuous flow function
s	Primary auxiliary hydraulic circuit with 1 and 2-way combination piping
s	Auxiliary hydraulic-flow adjustments through monitor
s	Adjustable auxiliary pressure relief
s	Quick coupler ready
UNDERCARRIAGE	
s	Planetary drive with axial piston motors
s	Propel motor shields
s	Spring-applied, hydraulically released automatic propel brake
s	Track guides, front idler and middle 4 per side
s	2-speed travel selection through display and on dozer lever
s	7 lower track rollers each side
s	1 upper carrier roller each side
s	Dozer blade with cylinder guarding
s	Tie downs on track frame and dozer blade
s	600mm (24") wide tripple grouser steel tracks
s	Undercarriage frame opening guard
UPPERSTRUCTURE	
s	Right-hand, left-hand, and counterweight mirrors
s	Lockable cab, hood, and service doors
s	Debris screen in side panel
s	Remote-mounted engine oil and fuel filters
s	Daily fluid level inspection visible from ground
s	Rear reflectors
ATTACHMENTS	
s	Convenient grease points
s	Dirt seals on all bucket pins
s	Thumb bracket



STANDARD AND OPTIONAL EQUIPMENT

s = standard / o = optional

SY135C	ATTACHMENTS
s	Oil-impregnated bushings
s	Reinforced thrust plates
s	Quick coupler plumbing to end of the stick
OPERATOR'S STATION	
s	Hydraulic pilot controls for boom, stick, swing, and travel operations
s	Proportional auxiliary switches on joystick
s	Travel levers with foot pedals
s	Bluetooth handsfree radio integrated into display
s	Rear view camera
s	Cell phone tray
s	Weight adjustable suspension cloth seat with fore/aft adjustment and adjustable armrests
s	2" seat mounted lap belt
s	Emergency stop switch
s	Sliding front window
s	Removable lower front window
s	Window breaker
s	ECO mode switch
s	8 tool selection modes
s	Fully adjustable auxiliary flow circuit and pressure from display
s	Operator passcode
s	Multifunction color LCD touchscreen display with diagnostic capability / Multiple-language
s	System monitoring features: Auto-idle indicator, 2-speed indicator, work-mode indicator, preheat icon, time and date, battery charge icon, throttle position, engine oil pressure alarm, DPF regeneration inhibit indicator, fuel level gauge, maintenance needed icon, failure code, standard/eco work mode icon, engine coolant temperature, coolant temp alarm, severe failure alarm, work tool mode icon, operating hours
s	High performance heating, ventilation, and air conditioning system
s	Operation and maintenance manual storage
s	Heavy duty removeable rubber floor mat
s	Front windshield wiper with high and low speed
s	Horn, electric
s	Hour meter, electric
s	Hydraulic shutoff lever, all controls
s	Interior light
s	Cup holder
s	Travel alarm with cancel switch
s	Transparent overhead hatch with retractable sun shade
ELECTRICAL	
s	12V electrical system
s	Maintenance free battery
s	Ground level battery disconnect
s	Terminal battery covers
s	80-amp alternator
s	12V power outlet
LIGHTS	
Work lights: 2 mounted on top of cab, 1 on boom, 1 on platform, magnetic beacon	

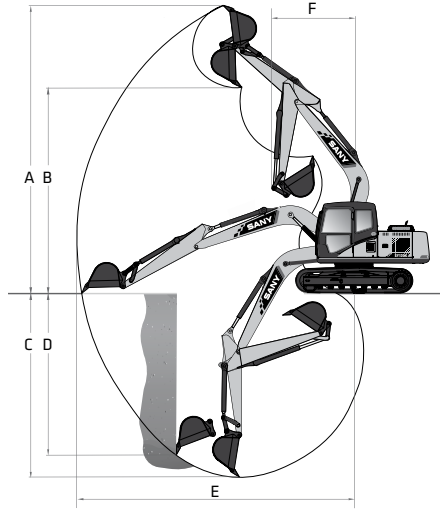
In the interest of continual equipment development, SANY America Inc. reserves the right to change these specifications at any time without prior notification.  
 ©2023 SANY America Inc. HEXPS23SY135C001



\*Warranty applies to 2023 Excavator and Wheel Loader models only.

# PRODUCT SPECIFICATIONS EXCAVATOR || SY135C

## WORKING RANGE



WORKING RANGE		
Boom Length	15' 1"	4 600 mm
Stick (Arm) Length	8' 2"	2 500 mm
A Maximum Digging Height	28' 4"	8 645 mm
B Maximum Dumping Height	20' 3"	6 175 mm
C Maximum Digging Depth	18' 1"	5 500 mm
D Maximum Vertical Wall Digging Depth	15' 11"	4 850 mm
E Maximum Reach at Ground Level	27' 2"	8 290 mm
F Minimum Swing Radius	8' 2"	2 500 mm

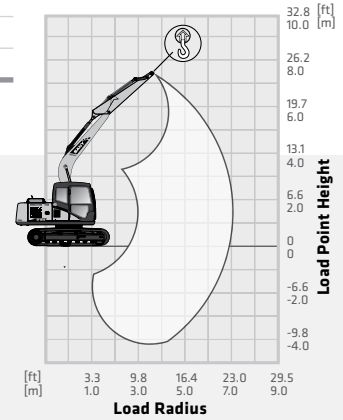
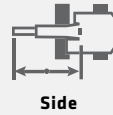
  

DIGGING PERFORMANCE		
Boom Length	15' 1"	4 600 mm
Stick (Arm) Length	8' 2"	2 500 mm
Bucket Breakout Force (ISO)	20,075 lbf	89.3 kN
Stick (Arm) Digging Force (ISO)	14,658 lbf	65.2 kN

## LIFTING PERFORMANCE

Standard 15' 1" (4 600 mm) Boom  
 Standard 8' 2" (2 500 mm) Stick  
 Standard 2" (600 mm) Track Shoes  
 No Bucket

Ratings are based on ISO 10567:2007. Lift capacity does not exceed 75% of tipping load with the machine on firm, level ground or 87% of hydraulic lifting capacity.



### BLADE DOWN

### BLADE UP

LOAD RADIUS	6.6 ft 2.0 m	9.8 ft 3.0 m	13.4 ft 4.0 m	16.4 ft 5.0 m	19.7 ft 6.0 m	23.0 ft 7.0 m	MAX REACH
LOAD POINT HEIGHT							
23 ft 7.0 m			7,055 lb* 3 200 kg*	7,055 lb* 3 200 kg*			5,620 lb* 2 550 kg*
19.7 ft 6.0 m				6,945 lb* 3 150 kg*	6,945 lb* 3 150 kg*		4,960 lb* 2 250 kg*
16.4 ft 5.0 m				7,715 lb* 3 500 kg*	7,715 lb* 3 500 kg*	5,290 lb* 2 400 kg*	4,630 lb* 2 100 kg*
13.1 ft 4.0 m			8,710 lb* 3 950 kg*	8,710 lb* 3 950 kg*	8,150 lb* 3 700 kg*	7,825 lb* 3 550 kg*	5,840 lb* 2 650 kg*
9.8 ft 3.0 m		12,785 lb* 5 800 kg*	12,785 lb* 5 800 kg*	10,250 lb* 4 650 kg*	10,250 lb* 4 650 kg*	8,930 lb* 4 050 kg*	7,495 lb* 3 400 kg*
6.6 ft 2.0 m		16,535 lb* 7 500 kg*	14,990 lb* 6 800 kg*	12,015 lb* 5 450 kg*	9,920 lb* 4 500 kg*	9,920 lb* 4 500 kg*	7,275 lb* 3 300 kg*
3.3 ft 1.0 m		14,990 lb* 6 800 kg*	14,220 lb* 6 450 kg*	13,560 lb* 6 150 kg*	9,480 lb* 4 300 kg*	10,800 lb* 4 900 kg*	7,055 lb* 3 200 kg*
0 ft 0 m		14,880 lb* 6 750 kg*	13,890 lb* 6 300 kg*	14,330 lb* 6 500 kg*	9,260 lb* 4 200 kg*	10,800 lb* 4 900 kg*	6,835 lb* 3 100 kg*
-3.3 ft -1.0 m	10,030 lb* 4 550 kg*	10,030 lb* 4 550 kg*	18,630 lb* 8 450 kg*	13,780 lb* 6 250 kg*	14,440 lb* 6 550 kg*	9,040 lb* 4 100 kg*	11,465 lb* 5 200 kg*
-6.6 ft -2.0 m	15,210 lb* 6 900 kg*	15,210 lb* 6 900 kg*	17,965 lb* 8 150 kg*	13,890 lb* 6 300 kg*	13,890 lb* 6 300 kg*	9,040 lb* 4 100 kg*	11,025 lb* 5 000 kg*
-9.8 ft -3.0 m	21,165 lb* 9 600 kg*	21,165 lb* 9 600 kg*	15,870 lb* 7 200 kg*	14,000 lb* 6 350 kg*	12,345 lb* 5 600 kg*	9,150 lb* 4 150 kg*	9,590 lb* 4 350 kg*
-13.1 ft -4.0 m			12,125 lb* 5 500 kg*	12,125 lb* 5 500 kg*	9,150 lb* 4 150 kg*	9,150 lb* 4 150 kg*	6,835 lb* 3 100 kg*
23 ft 7.0 m			7,055 lb* 3 200 kg*	7,055 lb* 3 200 kg*			5,620 lb* 2 550 kg*
19.7 ft 6.0 m					6,945 lb* 3 150 kg*	6,945 lb* 3 150 kg*	4,960 lb* 2 250 kg*
16.4 ft 5.0 m					7,715 lb* 3 500 kg*	7,715 lb* 3 500 kg*	4,630 lb* 2 100 kg*
13.1 ft 4.0 m			8,710 lb* 3 950 kg*	8,710 lb* 3 950 kg*	8,150 lb* 3 700 kg*	7,825 lb* 3 550 kg*	5,840 lb* 2 650 kg*
9.8 ft 3.0 m		12,785 lb* 5 800 kg*	12,785 lb* 5 800 kg*	10,250 lb* 4 650 kg*	10,250 lb* 4 650 kg*	8,930 lb* 4 050 kg*	7,495 lb* 3 400 kg*
6.6 ft 2.0 m		16,535 lb* 7 500 kg*	14,990 lb* 6 800 kg*	12,015 lb* 5 450 kg*	9,920 lb* 4 500 kg*	9,920 lb* 4 500 kg*	7,275 lb* 3 300 kg*
3.3 ft 1.0 m		14,990 lb* 6 800 kg*	14,220 lb* 6 450 kg*	13,560 lb* 6 150 kg*	9,480 lb* 4 300 kg*	10,800 lb* 4 900 kg*	7,055 lb* 3 200 kg*
0 ft 0 m		14,880 lb* 6 750 kg*	13,890 lb* 6 300 kg*	14,330 lb* 6 500 kg*	9,260 lb* 4 200 kg*	10,800 lb* 4 900 kg*	6,835 lb* 3 100 kg*
-3.3 ft -1.0 m	10,030 lb* 4 550 kg*	10,030 lb* 4 550 kg*	18,630 lb* 8 450 kg*	13,780 lb* 6 250 kg*	14,440 lb* 6 550 kg*	9,040 lb* 4 100 kg*	11,465 lb* 5 200 kg*
-6.6 ft -2.0 m	15,210 lb* 6 900 kg*	15,210 lb* 6 900 kg*	17,965 lb* 8 150 kg*	13,890 lb* 6 300 kg*	13,890 lb* 6 300 kg*	9,040 lb* 4 100 kg*	10,690 lb* 4 850 kg*
-9.8 ft -3.0 m	21,165 lb* 9 600 kg*	21,165 lb* 9 600 kg*	15,870 lb* 7 200 kg*	14,000 lb* 6 350 kg*	12,345 lb* 5 600 kg*	9,150 lb* 4 150 kg*	9,590 lb* 4 350 kg*
-13.1 ft -4.0 m			12,125 lb* 5 500 kg*	12,125 lb* 5 500 kg*	9,150 lb* 4 150 kg*	9,150 lb* 4 150 kg*	6,835 lb* 3 100 kg*

\* Indicates load limited by hydraulic lifting capacity.

