

LARGE EXCAVATOR

SY365C LC

STANDARD FEATURES

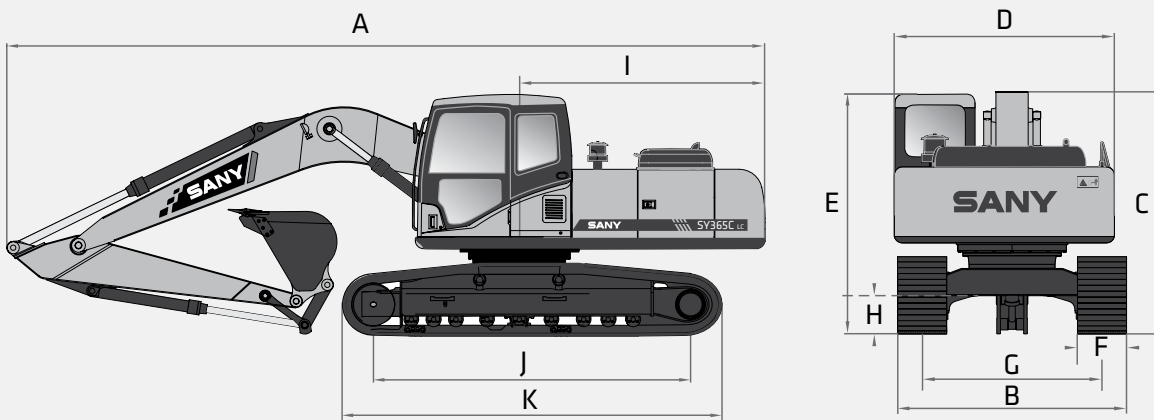
- ➔ Heavy-duty, long undercarriage
- ➔ 1-way and 2-way primary auxiliary and 2-way secondary auxiliary circuits
- ➔ Quick coupler plumbed to end of stick
- ➔ Heated air ride seat with adjustable independent control positions
- ➔ Bright LED work light package and rear view camera
- ➔ Powerful Cummins Engine

275 hp
Gross Power

23' 11"
Dig Depth

80,910 lbs
Operating Weight

43,163 lbs
Bucket Breakout



TECHNICAL SPECIFICATIONS

TECHNICAL SPECIFICATIONS

Operating Weight	80,910 lbs	36 700 kg
Ground Pressure	7.1 psi	48.7 kPa
Engine	Cummins QSL9 T4F	
Displacement	543.1 in ³	8.9 L
Net Power	275 HP	205 kW
Hydraulics	Negative Flow Control w/Pilot Control	
Main Hydraulic Pump	Axial Piston - Variable Displacement	
Operating Flow (maximum)	195.5 gal/min	740.0 L/min
Operating Pressure (maximum)	4,975 psi	34.3 MPa
Power Boost Pressure (maximum)	5,410 psi	37.3 MPa
Travel Motor	Axial Piston with Park Brake	
Travel Pressure (maximum)	4,975 psi	34.3 MPa
Travel Speeds (maximum)	2.1 / 3.2 mph	3.4 / 5.2 km/hr
Travel Effort (maximum)	48,109 lbf	214.0 kN
Grade Capability (maximum)	35°	
Swing Motor	Axial Piston Motor with Swing Brake	
Swing Pressure (maximum)	3,989 psi	27.5 MPa
Swing Speed (maximum)	9.8 RPM	
Undercarriage (standard)	Steel Track	
Track Shoe Width (standard)	31"	800 mm
Track Rollers (per side)	9	
Carrier Rollers (per side)	2	

DIMENSIONS

DIMENSIONS

Boom Length	21' 3"	6 470 mm
Stick (Arm) Length	10' 5"	3 178 mm
A Transport Length	36' 5"	11 100 mm
B Transport Width	11' 1"	3 390 mm
C Transport Height	11' 0"	3 352 mm
D Upper Structure Width	9' 11"	3 020 mm
E Cab Height	10' 4"	3 140 mm
F Track Width (standard shoe)	31"	800 mm
G Track Gauge	8' 6"	2 590 mm
H Ground Clearance	1' 10"	550 mm
I Tail Swing Radius	10' 10"	3 300 mm
J Track Length on Ground	13' 7"	4 140 mm
K Track Length	16' 7"	5 055 mm

SERVICE REFILL CAPACITIES

Fuel Tank Capacity	142.7 gal	540.0 L
DEF Tank Capacity	10.0 gal	38.0 L
Hydraulic Tank Capacity	89.8 gal	340.0 L
Engine Oil Capacity	7.7 gal	29.0 L
Cooling System Capacity	12.7 gal	48.0 L

*Based on theoretical calculation at max flow with no load. Subject to alterations. In the interest of continual equipment development

SANY America Inc. reserves the right to change these specifications at any time without prior notification. ©2023 SANY America Inc. HEXPS23SY365CLC001



STANDARD AND OPTIONAL EQUIPMENT

s = standard / o = optional

SY365C LC	ENGINE
s	8.9l Cummins
s	Auto-idle
s	Dual-element dry air filter
s	Batteries 24V (2 - 12V)
s	Coolant Expansion tank
s	Electronic engine control
s	Enclosed fan guard
s	Engine coolant to -37 deg. C (-34 deg. F)
s	Fuel filter with water separator
s	Full-flow oil filter
s	Turbocharger with charge air cooler
s	High flow electric clutch actuated fan
s	500-hour engine-oil-change interval
s	70% (35 deg.) off-level capability
s	Engine air precleaner
s	Severe-duty fuel filter
HYDRAULIC SYSTEM	
s	Spring-applied, hydraulically released automatic swing brake
s	Auxiliary hydraulic-flow adjustments through monitor
s	Lift power boost on joystick
s	Control pattern change valve
s	Auxiliary hydraulics with 1 and 2-way combination piping for high flow
s	Auxiliary hydraulics with 2- way rotation piping and controls
s	Auxiliary pilot and electric controls
s	Quick coupler plumbing and control
UNDERCARRIAGE	
s	Planetary drive with axial piston motors
s	Propel motor shields
s	Spring-applied, hydraulically released automatic propel brake
s	Track guides, front idler and 2 additional per side
s	2-speed travel selection
s	Upper carrier rollers (2)
s	Sealed and lubricated track chain
s	Triple semi-grouser shoes, 800 mm (32")
s	Undercarriage frame opening guard
BOOM & STICK	
s	Boom 6.5 m (21' 3")
s	Stick, 3.2 m (10' 5")
UPPERSTRUCTURE	
s	Right-hand, left-hand, and counterweight mirrors
s	Vandal lock with ignition key: Cab door /Service door/ Toolbox/Cab Filter
s	Debris screen in side panel
s	Remote-mounted engine oil and fuel filters
s	Heavy duty triangle channel frame guard
ATTACHMENTS	
s	Convenient grease points
o	Centralized lubrication system

In the interest of continual equipment development, SANY America Inc. reserves the right to change these specifications at any time without prior notification.
 ©2023 SANY America Inc. HEXPS23SY365CLC001



STANDARD AND OPTIONAL EQUIPMENT

s = standard / o = optional

SY365C LC	ATTACHMENTS CONTINUED
s	Dirt seals on all bucket pins
s	Oil-impregnated bushings
s	Reinforced resin thrust plates
o	Quick coupler
o	Buckets: Heavy duty / Heavy-duty high capacity / Side cutter and teeth
OPERATOR'S STATION	
s	Adjustable independent-control positions (levers-to-seat, seat-to-pedals)
s	AM/FM radio with USB charging and Bluetooth® connectivity
s	Auto climate control/air conditioner/heater/pressurizer
s	Built-in Operator's Manual storage compartment and manual
s	12 and 24V outlets 60 watt 5 amp
s	Deluxe heated air suspension cloth seat with adjustable armrests
s	Heavy duty rubber floor mat
s	Front windshield wiper with intermittent speeds
s	Illuminated Gauge: Diesel Exhaust fluid, Engine coolant, and fuel levels
s	Horn, electric
s	Hour meter, electric
s	Hydraulic shutoff lever, all controls
s	Interior light
s	Digital Power mode selection: 3 power modes- Low, Standard, and High
s	Digital tool selection: Bucket, Shear, Hammer, etc.
s	Multifunction color LCD monitor with: Diagnostic capability / Multiple-language / Maintenance tracking / Clock
s	System monitoring with alarm features: Auto-idle indicator, engine air cleaner restriction indicator light, engine check, engine coolant temperature indicator light with audible alarm, engine oil pressure indicator light with audible alarm, low-alternator-charge indicator light, low-fuel indicator light, low DEF indication with audible alarm, fault code alert indicator, fuel-rate display, wiper-mode indicator, work-lights-on indicator, and work-mode indicator
s	Motion alarm with cancel switch (conforms to SAE J994)
s	Power-boost switch on right joystick
s	Auxiliary hydraulic control switches in right console lever
s	Seat belt, 2", non-retractable
s	Transparent overhead hatch
s	Heated or cooled food/beverage storage
s	Air-suspension heated seat
s	Hydraulic oil filter restriction indicator light
s	Protection screens for cab front, rear, and side
ELECTRICAL	
s	60-amp alternator
s	Ground level electrical disconnect (lockout tag out)
s	Blade-type multi-fused circuits
s	Positive-terminal battery covers
s	Rearview camera
LIGHTS	
s	Work lights: High power LED - 2 mounted on boom, 2 mounted on top of Cab, 1 mounted under step on right side of machine

In the interest of continual equipment development, SANY America Inc. reserves the right to change these specifications at any time without prior notification. ©2023 SANY America Inc. HEXPS23SY365CLC001

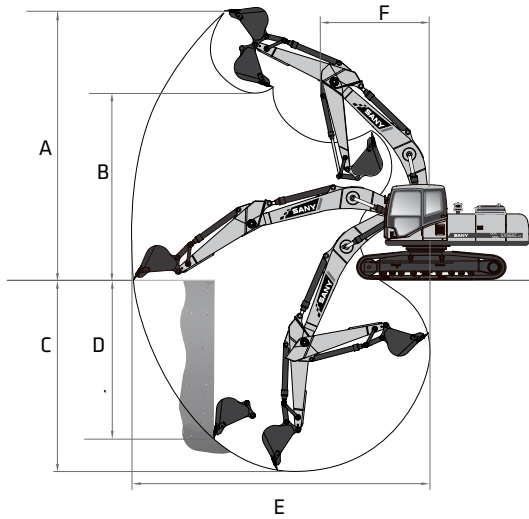


*Warranty applies to 2023 Excavator and Wheel Loader models only.



PRODUCT SPECIFICATIONS LARGE EXCAVATOR || SY365C LC

WORKING RANGE

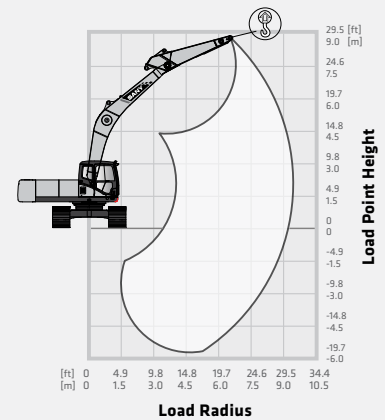
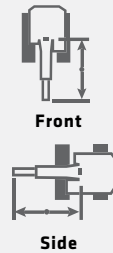


WORKING RANGE			
	Boom Length	21' 3"	6 470 mm
	Stick (Arm) Length	10' 5"	3 178 mm
A	Maximum Digging Height	32' 3"	9 820 mm
B	Maximum Dumping Height	23' 5"	7 150 mm
C	Maximum Digging Depth	23' 11"	7 340 mm
D	Maximum Vertical Wall Digging Depth	21' 3"	6 480 mm
E	Maximum Reach at Ground Level	36' 5"	11 090 mm
F	Minimum Swing Radius	14' 7"	4 450 mm
DIGGING PERFORMANCE			
	Boom Length	21' 3"	6 470 mm
	Stick (Arm) Length	10' 5"	3 178 mm
	Bucket Breakout Force (ISO)	43,163 lbf	192.0 kN
	Stick (Arm) Digging Force (ISO)	37,768 lbf	168.0 kN

LIFTING PERFORMANCE

Standard 21' 3" (6 470 mm) Boom
 Standard 10' 5" (3 178 mm) Stick
 Standard 31" (800 mm) Track Shoes
 No Bucket

Ratings are based on ISO 10567:2007. Lift capacity does not exceed 75% of tipping load with the machine on firm, level ground or 87% of hydraulic lifting capacity.



LOAD RADIUS	9.8 ft 3.0 m		14.8 ft 4.5 m		19.7 ft 6.0 m		24.6 ft 7.5 m		29.5 ft 9.0 m		MAX REACH	
LOAD POINT HEIGHT												
24.6 ft 7.5 m							18,129 lb* 8 223 kg*	18,129 lb* 8 223 kg*			18,144 lb* 8 230 kg*	18,144 lb* 8 230 kg*
19.7 ft 6.0 m							18,243 lb* 8 275 kg*	18,243 lb* 8 275 kg*			17,626 lb* 7 995 kg*	16,572 lb* 7 517 kg
14.8 ft 4.5 m			25,902 lb* 11 749 kg*	25,902 lb* 11 749 kg*	22,309 lb* 10 119 kg*	22,309 lb* 10 119 kg*	19,273 lb* 8 742 kg*	19,273 lb* 8 742 kg*	17,505 lb* 7 940 kg*	15,062 lb* 6 832 kg	17,626 lb* 7 897 kg*	14,875 lb* 6 747 kg
9.8 ft 3.0 m			33,728 lb* 15 299 kg*	33,728 lb* 15 299 kg*	25,009 lb* 11 344 kg*	25,009 lb* 11 344 kg*	20,604 lb* 9 346 kg*	19,416 lb* 8 807 kg	17,948 lb* 8 141 kg*	14,830 lb* 6 727 kg	17,306 lb* 7 850 kg*	14,008 lb* 6 354 kg
4.9 ft 1.5 m			37,397 lb* 16 963 kg*	37,397 lb* 16 963 kg*	27,152 lb* 12 316 kg*	23,746 lb* 10 771 kg	21,707 lb* 9 846 kg*	18,865 lb* 8 557 kg	18,054 lb* 8 189 kg	14,566 lb* 6 607 kg	17,004 lb* 7 713 kg*	13,735 lb* 6 230 kg
0 ft 0 m			37,662 lb* 17 083 kg*	37,662 lb* 17 083 kg*	28,003 lb* 12 702 kg*	23,437 lb* 10 631 kg	21,378 lb* 9 697 kg	18,464 lb* 8 375 kg	17,853 lb* 8 098 kg	14,374 lb* 6 520 kg	17,388 lb* 7 887 kg*	14,013 lb* 6 356 kg
-4.9 ft -1.5 m	28,334 lb* 12 852 kg*	28,334 lb* 12 852 kg*	35,613 lb* 16 154 kg*	35,613 lb* 16 154 kg*	27,262 lb* 12 366 kg*	23,230 lb* 10 537 kg	21,182 lb* 9 608 kg	21,707 lb* 8 291 kg			17,476 lb* 7 927 kg*	14,958 lb* 6 785 kg
-9.8 ft -3.0 m	40,283 lb* 18 272 kg*	40,283 lb* 18 272 kg*	31,581 lb* 14 325 kg*	31,581 lb* 14 325 kg*	24,645 lb* 11 179 kg*	23,268 lb* 10 554 kg	19,052 lb* 8 642 kg*	18,325 lb* 8 312 kg			17,121 lb* 7 766 kg*	17,000 lb* 7 711 kg
-14.8 ft -4.5 m	30,426 lb* 13 801 kg*	30,426 lb* 13 801 kg*	24,800 lb* 11 249 kg*	24,800 lb* 11 249 kg*	19,202 lb* 8 710 kg*	19,202 lb* 8 710 kg*					15,820 lb* 7 176 kg*	15,820 lb* 7 176 kg*

* Indicates load limited by hydraulic lifting capacity.

